

Unit 0: Health and Safety Project: Amplifier

What are we learning about?

You will learn hazards and risks within the workshop and how to manage these. You will learn about the importance of accurate measuring and how to achieve this by making a passive amplifier.

Why are we learning about it?

This is a baseline test to ensure you meet the minimum workshop requirements and expectations so we know you can work safely and confidently in the workshop when creating your future products.

What new **KNOWLEDGE** will I gain?

- Understanding the importance of accurate measuring.
- How to assess a hazard to allocate a risk score.
- H&S Laws - Health and Safety at Work Act 1978.
- How a passive amplifier function.

How does this build on the **KNOWLEDGE** I already have?

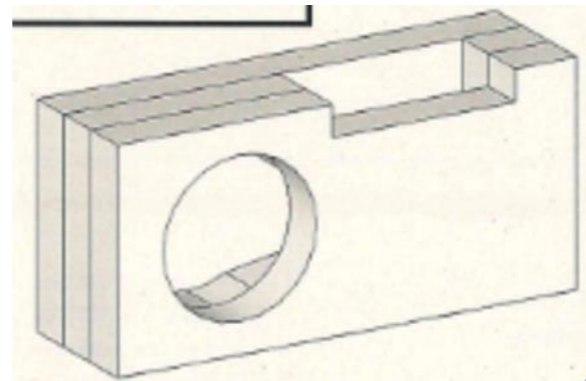
This will build on knowledge that you have gained at KS3, understanding how to work safely in the workshop.

What new **SKILLS** will I develop?

- New drilling tools.
- Measuring and marking out circles.
- Assessing hazards

How does this build on the **SKILLS** I already have?

- Use of hand tools and machinery
- Sketching and Drawing
- Working safely with PPE
- Identifying hazards



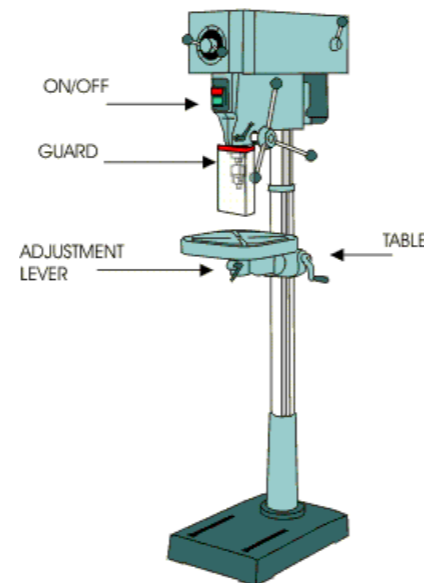
Plywood and MDF



Forstner Bit



Pillar Drill



Personal Protective Equipment

