

Project: Trinket Box

What are we learning about?

You will learn about health and safety within the workshop and an introduction to the equipment that will be using. You will learn about the design process and how it helps you to create a product to meet a brief.

Why are we learning about it?

In Design & Technology we can work with a variety of equipment but health and safety is our priority at all times. You will also gain an understanding of the design process as it is always the same regardless of the design brief.

What new **KNOWLEDGE** will I gain?

- How to use workshop equipment; belt sander, pillar drill and glass paper.
- The workshop rules and the various PPE we can use to stay safe.
- What is the structure of the design process.
- What a design brief and specification is.

How does this build on the **KNOWLEDGE** I already have?

This will build on knowledge that you have gained in your primary school – looking at the design process and health and safety in more depth.

What new **SKILLS** will I develop?

- Drilling
- Sanding
- Accurate measuring

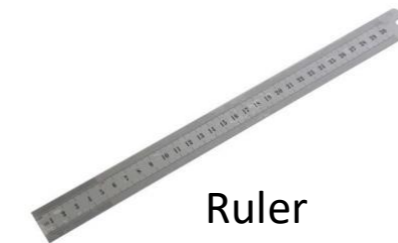
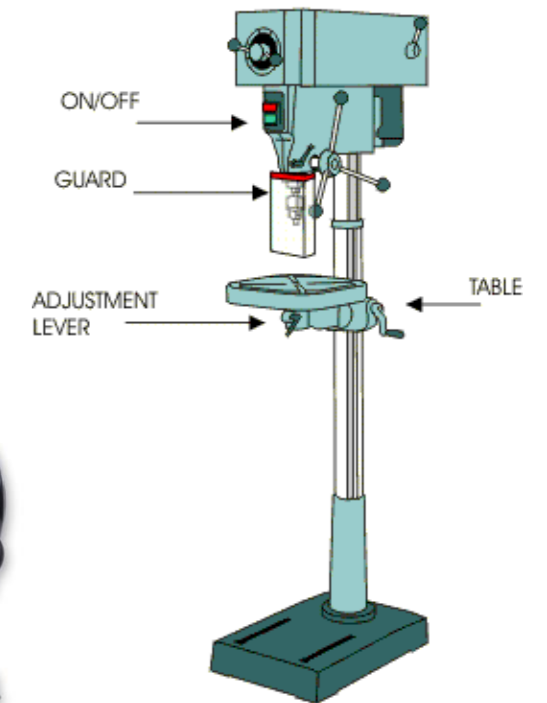
How does this build on the **SKILLS** I already have?

The skills you already have will be different depending on your primary school.

Pine



Belt Sander



Ruler

PVC Pipe



Pillar Drill



Glass Paper